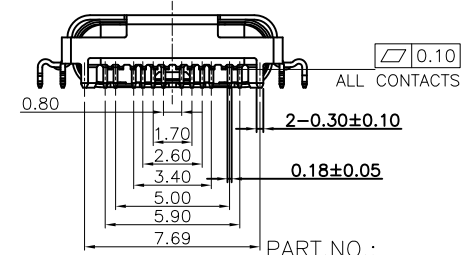
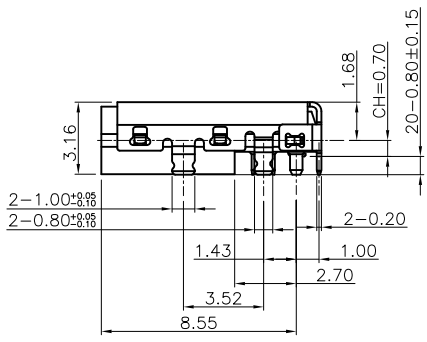
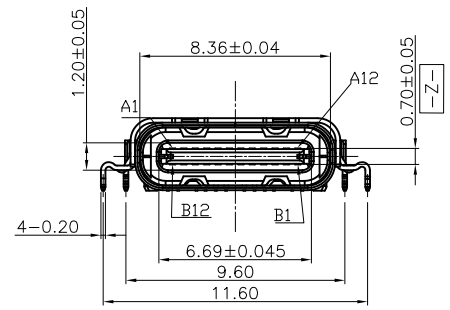
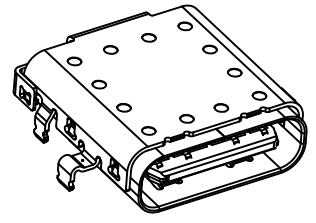
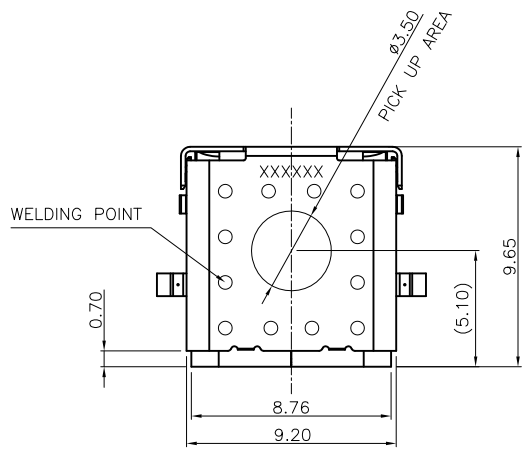


REV.	ECN.NO.	MODIFY.CONTENT
A	/	NEW

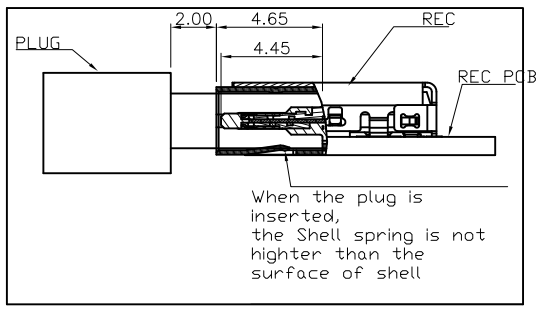
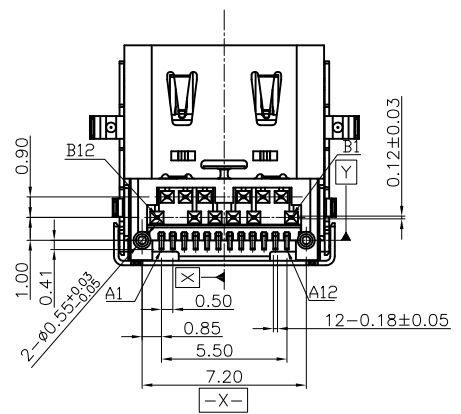
NOTES :

- ELECTRICAL :
 - CONTACT CURRENT RATING :
 - 5A FOR VBUS (Pins A4,A9,B4,B9),1.25A FOR VCONN.
 - 6.25A FOR GND (Pins A1,A12,B1,B12)
 - INSULATION RESISTANCE :
 - 100 MEGAOHMS. AT 300VDC.
 - DIELECTRIC WITHSTANDING VOLTAGE :100VAC,
0.5mA LEAKAGE CURRENT MAX..
 - LOW LEVEL CONTACT RESISTANCE :
 - INITIAL 40mΩ MAX. AFTER LIFE 50mΩ MAX.
- MECHANICAL CHARACTERISTICS :
 - INSERTION FORCE : 5N~20N .
 - EXTRACTION FORCE : 8N~20N FROM 1 TO 30 CYCLES.
6N~20N FROM 31 TO 10000 CYCLES.
 - DURABILITY : 10,000 MATING CYCLES.
 - OPERATING TEMPERATURE :-55°C TO +85°C
 - RECOMMENDED STENCIL THICKNESS: 0.12mm min.



PART.NO.:
U167-CF24D014**-D

- 42: 功能区镀金1U", 锡脚镀纯锡至少80U"
- 43: 功能区镀金3U", 锡脚镀纯锡至少80U"
- 44: 功能区镀金5U", 锡脚镀纯锡至少80U"
- 45: 功能区镀金10U", 锡脚镀纯锡至少80U"
- 46: 功能区镀金15U", 锡脚镀纯锡至少80U"
- 47: 功能区镀金30U", 锡脚镀纯锡至少80U"



RECOMMENDED SCHEMATIC DIAGRAM OF PLUG AND REC INTERPOSITION

ITEM	PART NAME	QTY	MATERIAL	REMARK
⑥	TOP CONTACT	1 SET	COPPER ALLOY	50u" MIN. NI UNDER PLATING.
⑤	BOTTOM CONTACT	1 SET	COPPER ALLOY	80u" MIN. MATTE TIN PLATING ON SOLDER AREA. 30u" MIN. GOLD PLATING ON CONTACT AREA.
④	MID PLATE	1 PCS	STAINLESS	50u" MIN. NI PLATING OVERALL.
③	HOUSING	1 PCS	LCP	COLOR BLACK;UL94V-0
②	INNER SHELL	1 PCS	STAINLESS	WATER CLEANING
①	OUTER SHELL	1 PCS	STAINLESS	50u" MIN. NI PLATING OVERALL,

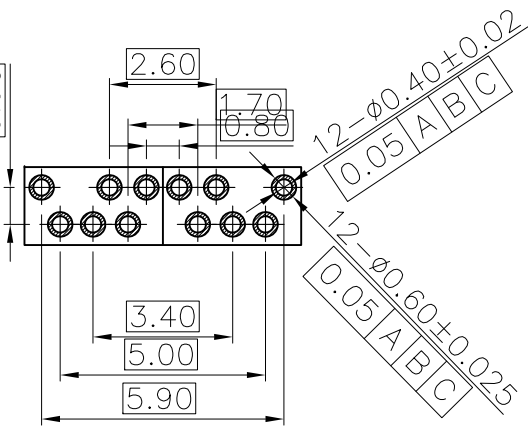
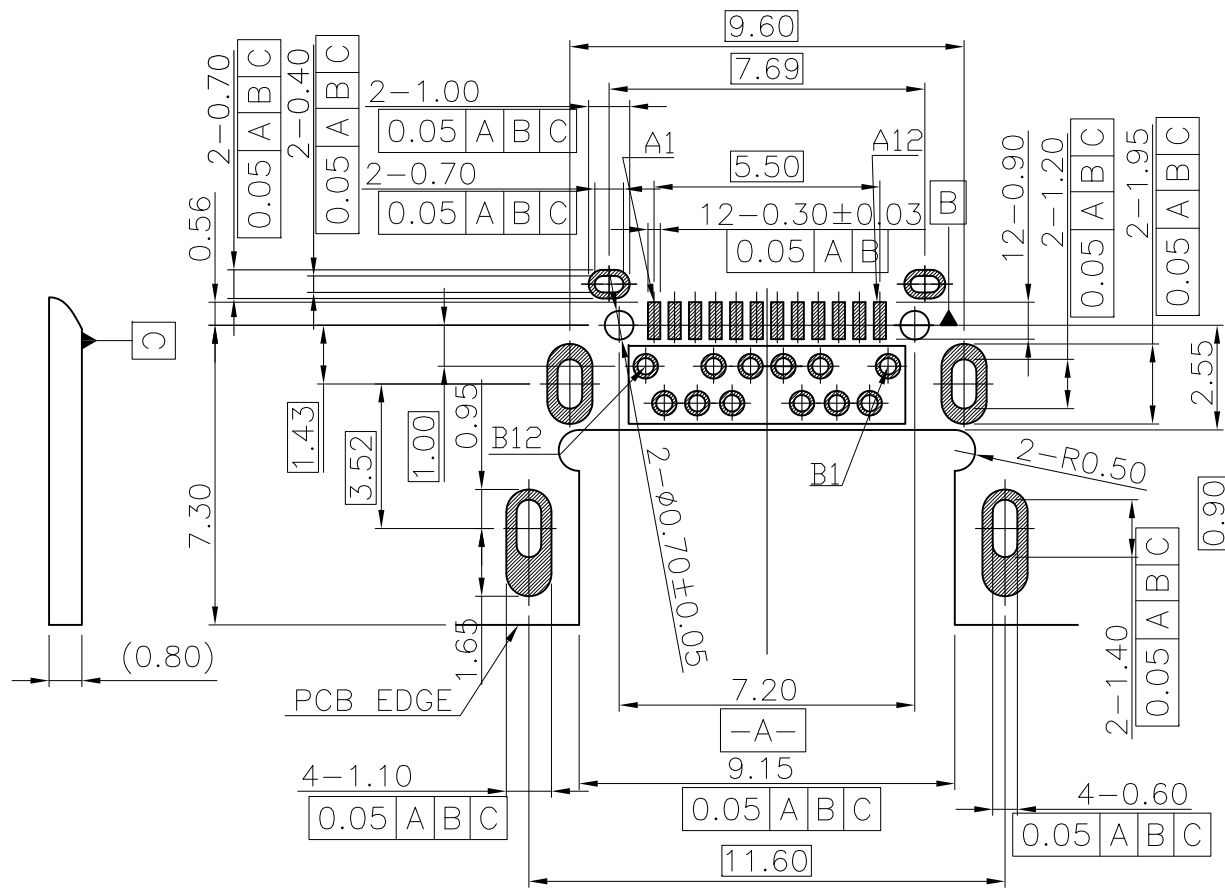
GENERAL TOLERANCE	TOLERANCE	DWG.NO.	U167-CF24D014**~D	PART.NO.	U167-CF24D01400~D	DRAWN	YZQ 2023.12.12
x.±0.50	x.± 5°	REV.	A	TITLE	TYPE-C 24PIN CH=0.70	CHECKED	
.x±0.25	.x± 2°	SIZE		SHEET	1 OF 2	APPROVED	
.xx±0.15	.xx± 1°	A4					

UNIT mm SCALE 1:1

OLN 东莞市欧联电子科技有限公司
DONGGUAN OLN ELECTRONICS TECHNOLOGY CO., LTD.

REV.	ECN.NO.	MODIFY.CONTENT
A	/	NEW

Pin	Signal Name	Mating Sequence	Pin	Signal Name	Mating Sequence
A1	GND	First	B12	GND	First
A2	SSTXp1	Second	B11	SSRXp1	Second
A3	SSTXn1	Second	B10	SSRXn1	Second
A4	V _{BUS}	First	B9	V _{BUS}	First
A5	CC1	Second	B8	SBU2	Second
A6	Dp1	Second	B7	Dn2	Second
A7	Dn1	Second	B6	Dp2	Second
A8	SBU1	Second	B5	CC2	Second
A9	V _{BUS}	First	B4	V _{BUS}	First
A10	SSRXn2	Second	B3	SSTXn2	Second
A11	SSRXp2	Second	B2	SSTXp2	Second
A12	GND	First	B1	GND	First
SHELL	GND		SHELL	GND	



GENERAL	TOLERANCE	DWG.NO.	U167-CF24D014**-D	PART.NO.	U167-CF24D01447-D	DRAWN	YZQ 2023.12.12
x.±0.50	x.±5°	REV.	A	TITLE	TYPE-C 24PIN CH=0.70	CHECKED	
.x±0.25	.x±2°	SIZE		SHEET	2 OF 2	APPROVED	
.xx±0.15	.xx±1°	A4					

UNIT	mm	SCALE	1:1
东莞市欧联电子科技有限公司 DONGGUAN OLN ELECTRONICS TECHNOLOGY CO., LTD.			